


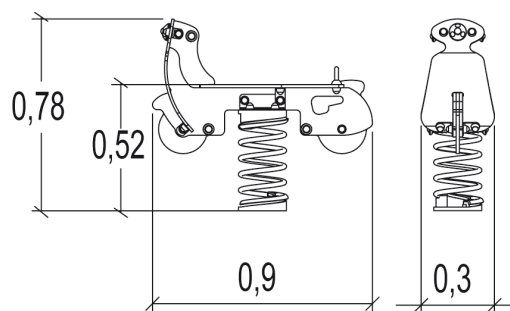
 **2+**  
 **2**  
 **0,6m**


  
 1 = 0,9m  
 2 = 0,3m  
 3 = 0,79m



Motor inclusion  
 Sensory inclusion  
 Mental inclusion



**Play value :** **3**

role play



x1

swinging



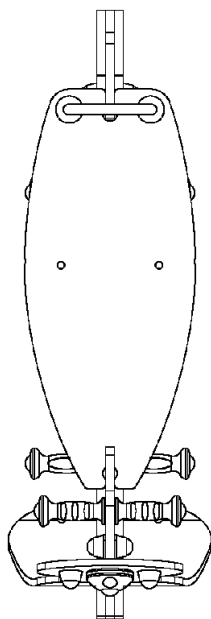
x1

balancing



x1

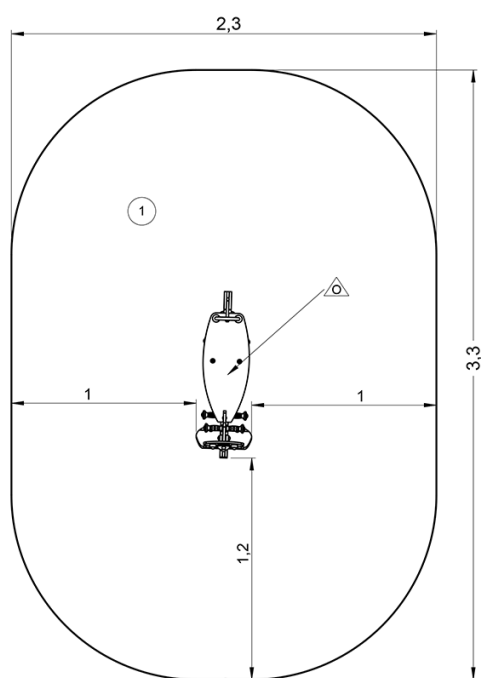
## Components



## Installation of equipment

Impact area =

— Impact area  
- - - Free space



1	0,6m	7m <sup>2</sup>
---	------	-----------------



1



01h00



0m<sup>3</sup>



7m<sup>2</sup>



32kg



10kg

