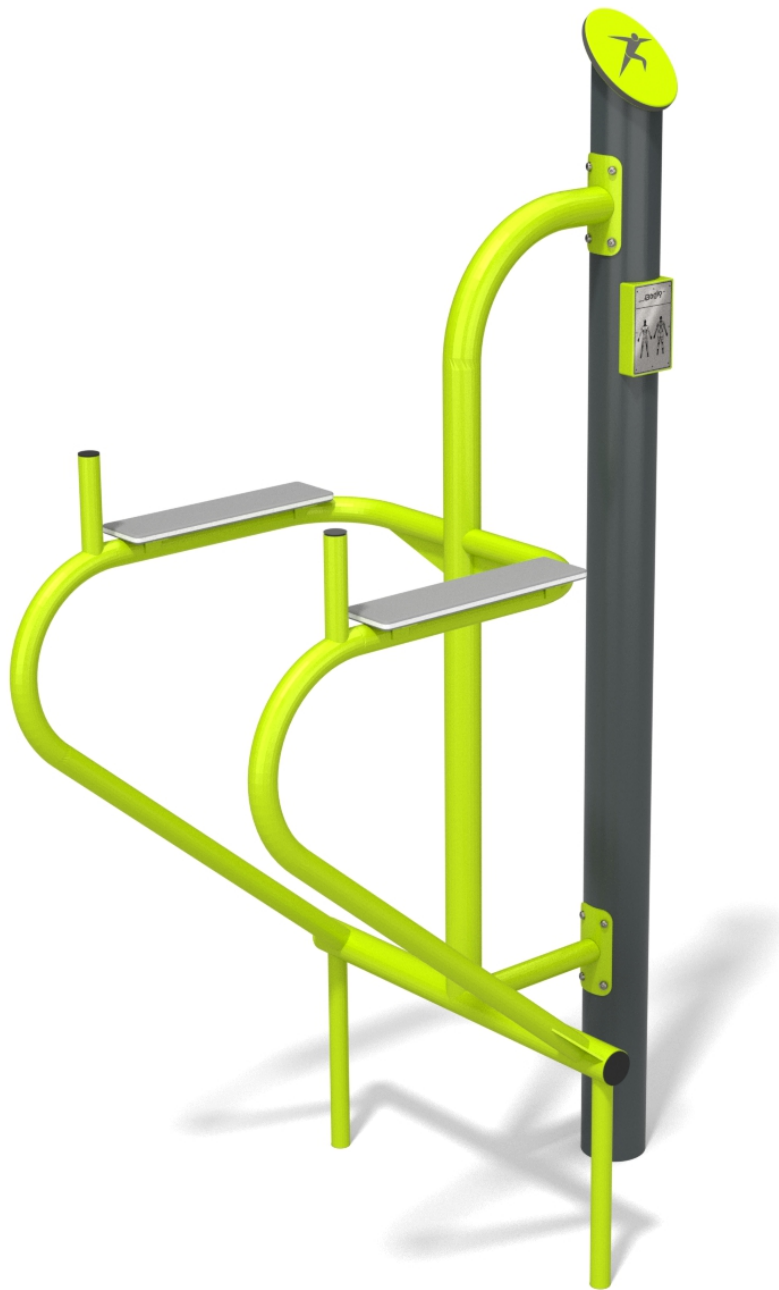


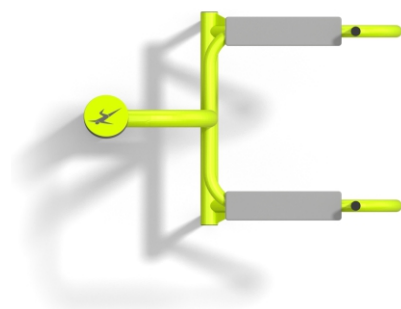


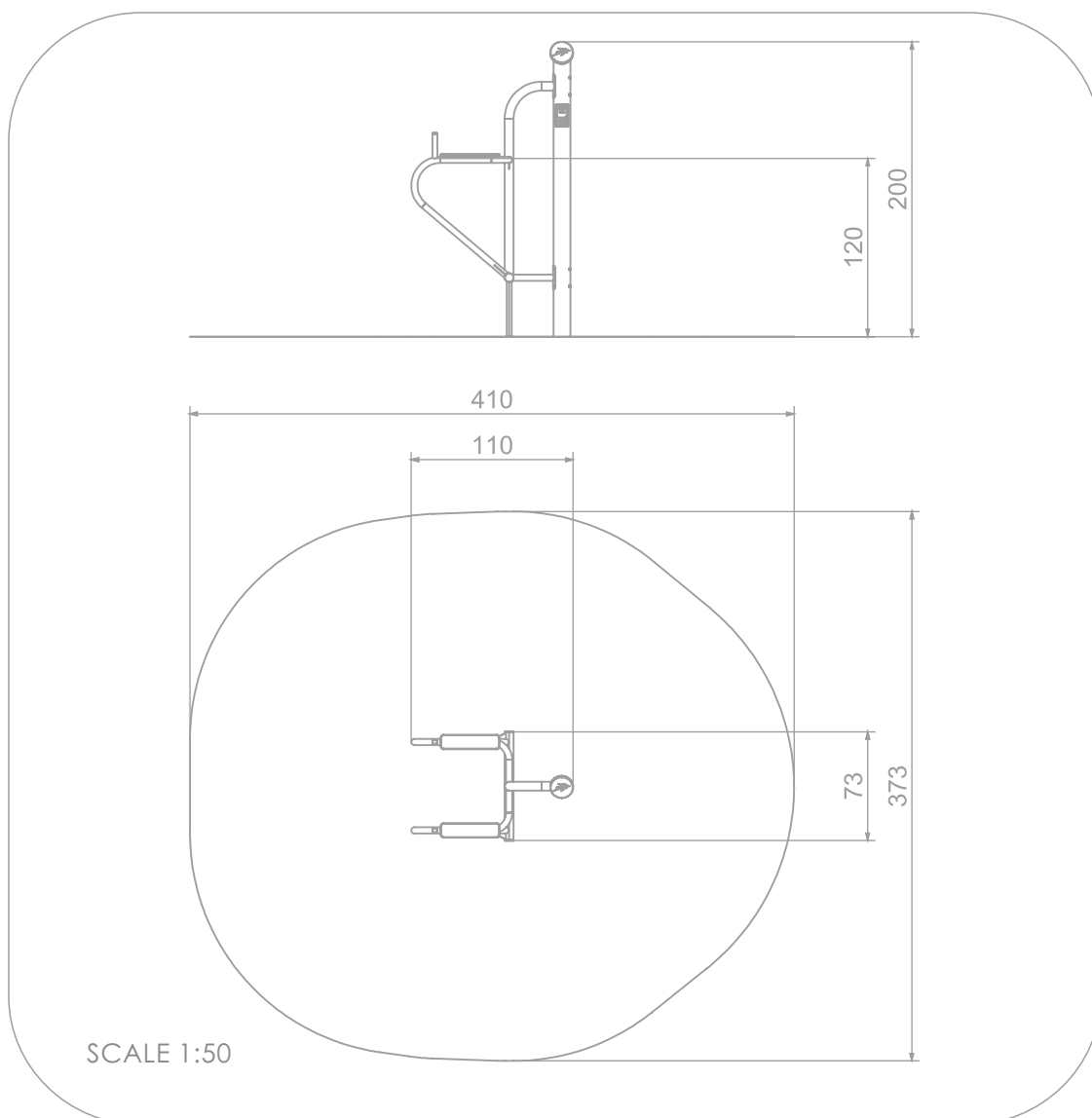
SOCIALIZING



INFORMATION ABOUT THE PRODUCT

Dimensions	110 x 73 cm
Safety zone	410 x 373 cm
Safety zone area	13 m ²
Overall height	200 cm
Free fall height	120 cm
Product complies with EN 1176-1:2017-12	YES
Availability of spare parts	YES

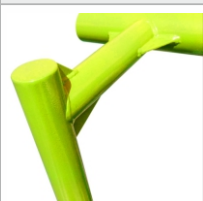




MATERIALS:

SOLID CONSTRUCTION MADE OF BLACK STEEL S235JR, CLEANED IN THE SANDBLASTING PROCESS

ANTI-SLIP PLATE MADE OF 13 MM HPL



PLATES MADE OF COLOURFUL TRIPLE LAYERED POLYETHYLENE HDPE 15 MM

PLATE MADE OF ANODIZED ALUMINIUM PLACED OF A HANDLE MADE OF POLYAMIDE

BACK SUPPORT AND SEATS MADE OF COLOURFUL TRIPLE LAYERED POLYETHYLENE HDPE 15 MM

