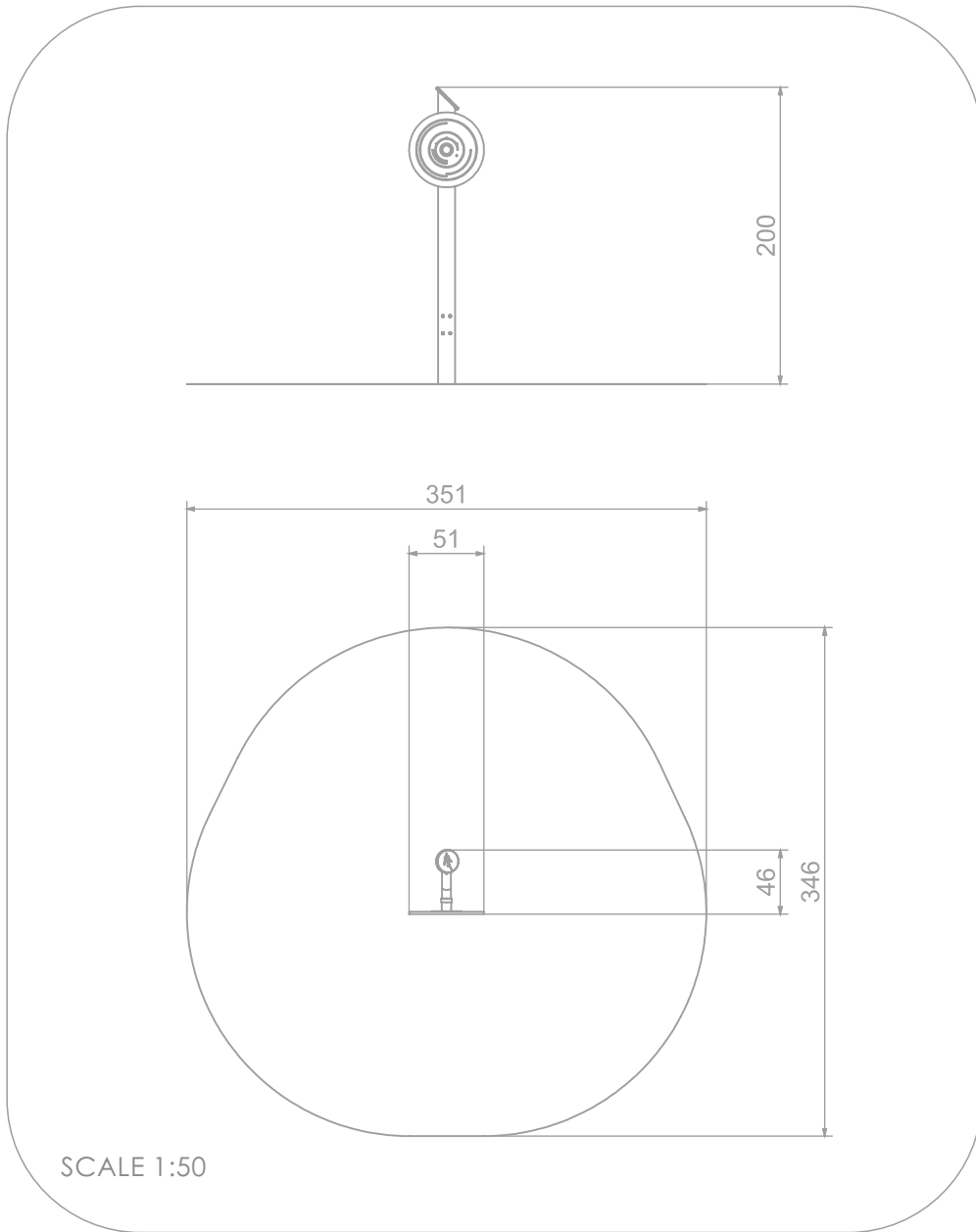




#### INFORMATION ABOUT THE PRODUCT

Dimensions	46 x 51 cm
Safety zone	346 x 351 cm
Safety zone area	10 m <sup>2</sup>
Overall height	200 cm
Free fall height	
Product complies with EN 1176-1:2017-12	YES
Availability of spare parts	YES





### MATERIALS:

SOLID CONSTRUCTION  
MADE OF BLACK STEEL  
S235JR, CLEANED IN THE  
SANDBLASTING PROCESS

PLATES MADE OF  
COLOURFUL TRIPLE LAYERED  
POLYETHYLENE HDPE 15 MM

PLATE MADE OF ANODIZED  
ALUMINIUM PLACED OF A  
HANDLE MADE OF  
POLYAMIDE

