

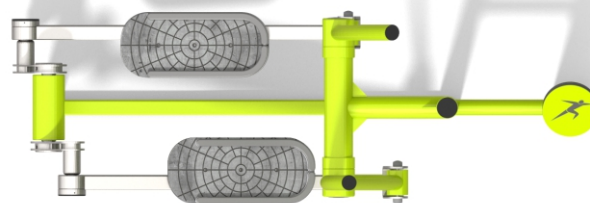


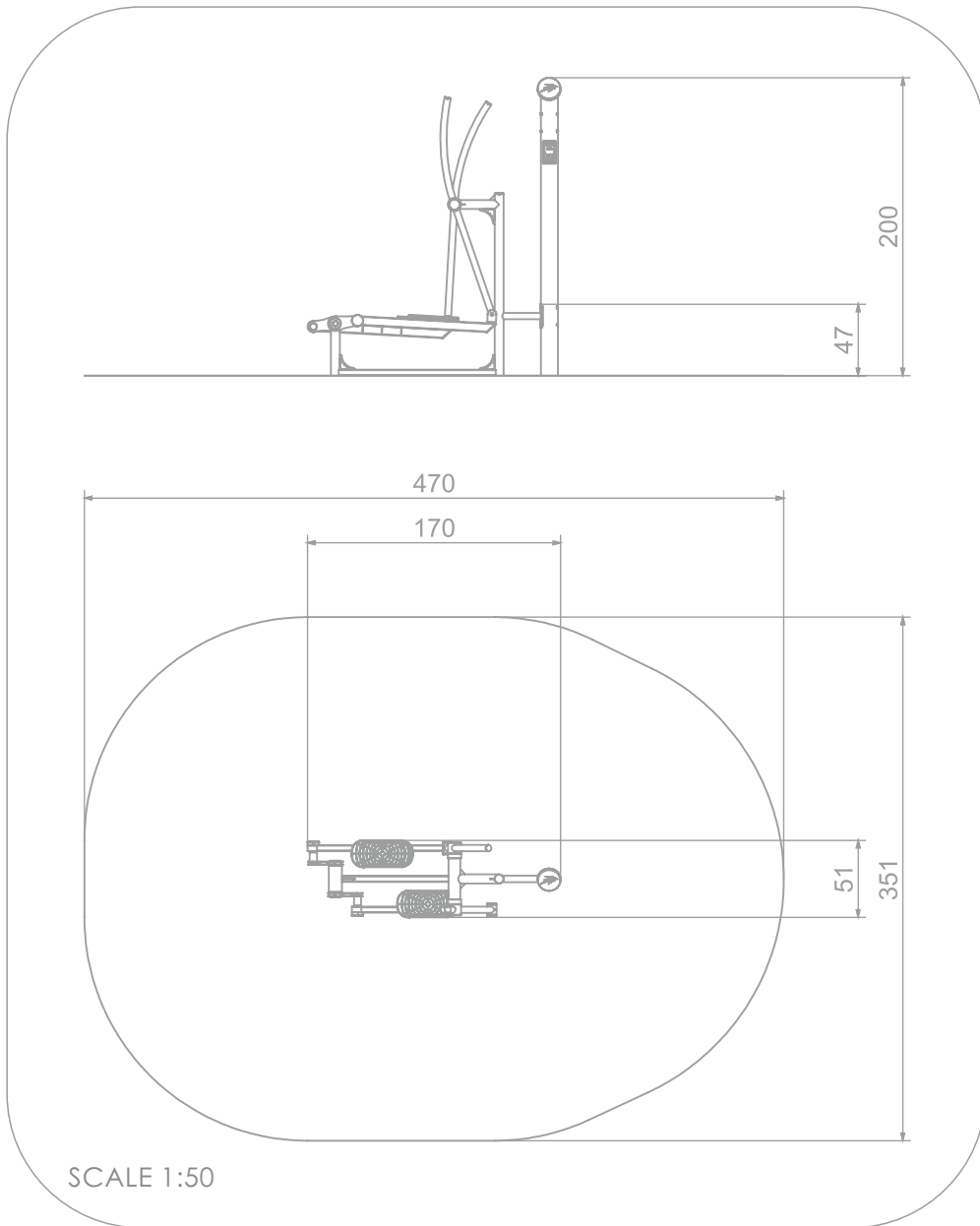
SOCIALIZING



INFORMATION ABOUT THE PRODUCT

Dimensions	51 x 170 cm
Safety zone	470 x 351 cm
Safety zone area	14 m ²
Overall height	200 cm
Free fall height	47 cm
Product complies with EN 1176-1:2017-12	YES
Availability of spare parts	YES





MATERIALS:

<p>SOLID CONSTRUCTION MADE OF BLACK STEEL S235JR, CLEANED IN THE SANDBLASTING PROCESS</p>	<p>PLATES MADE OF COLOURFUL TRIPLE LAYERED POLYETHYLENE HDPE 15 MM</p>
<p>ANTI-SLIP PLATE MADE OF 13 MM HPL</p>	<p>SELF-ALIGNING ROLLER BEARINGS</p>
<p>PLATE MADE OF ANODIZED ALUMINIUM PLACED OF A HANDLE MADE OF POLYAMIDE</p>	

