



10+



6



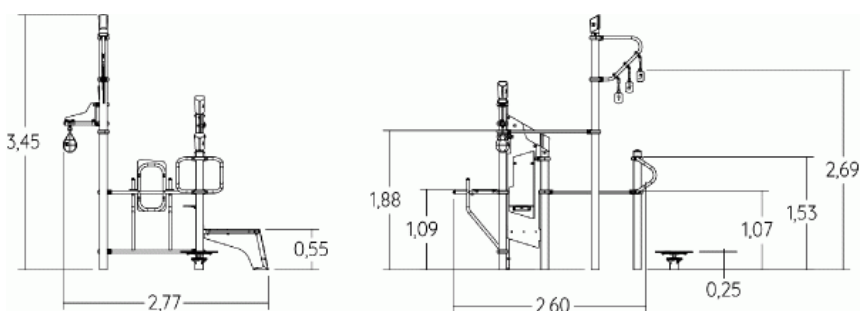
1,1m



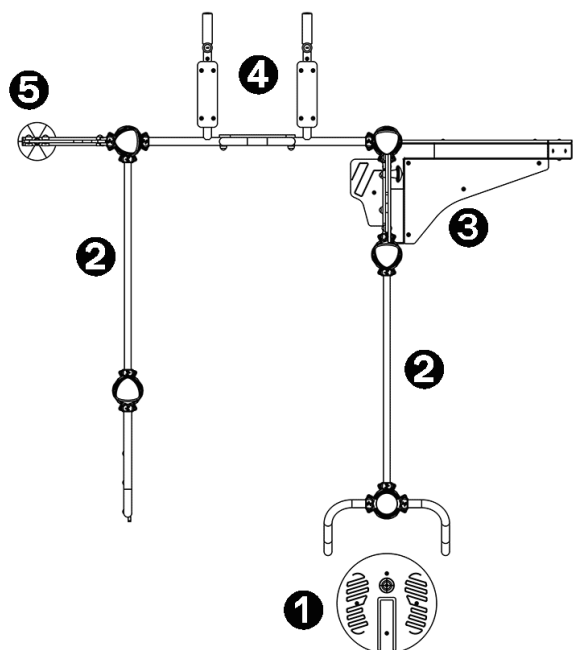
1 = 3,21m

2 = 2,78m

3 = 3,45m



Components

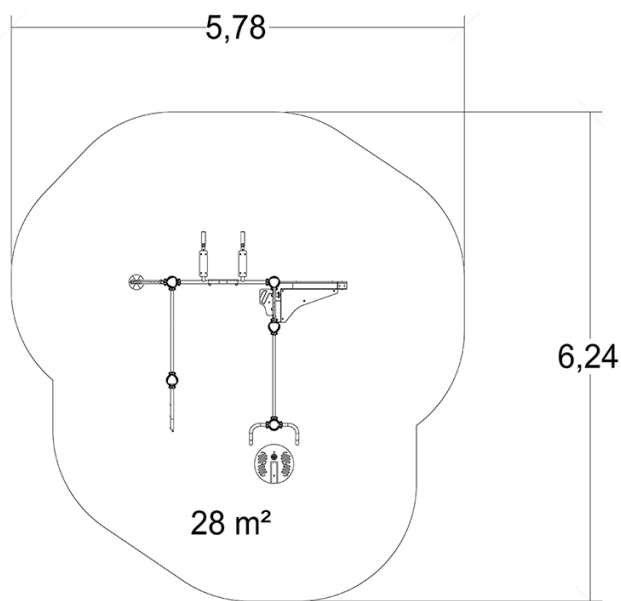


- 1 Balance Board
- 2 Horizontal bar L. 125 cm
- 3 3 in 1 Totem
- 4 Dual Dip Bars/Abs
- 5 Punchball

Installation of equipment

IMPORTANT: It is essential to refer to the installation instructions for information on the size of the safety areas.

- Impact area (minimum normative surface)
- Free space



1	<0,6m	14,5m ²
2	0,9m	2m ²
3	1,1m	12,5m ²



2



15h00



0.7m³



28.5m²



245kg



28kg

EN

16 630