



10+



11



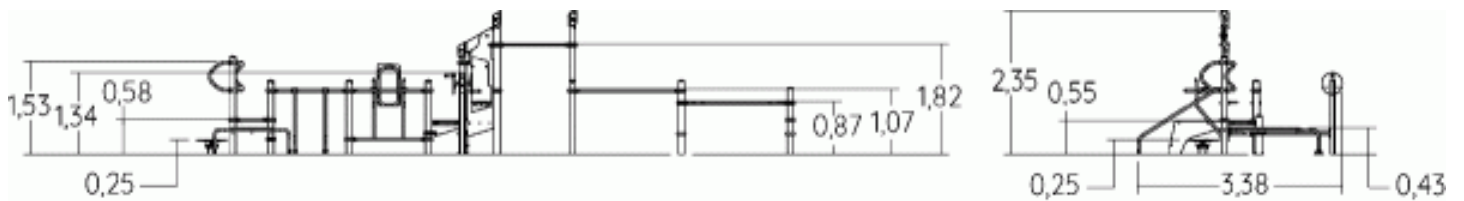
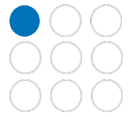
1,1m



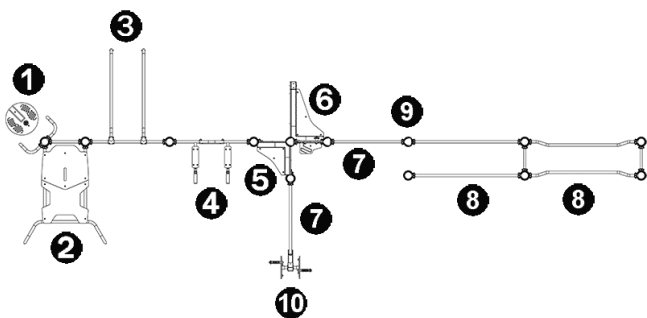
1 = 9,86m  
2 = 3,55m  
3 = 2,35m



Motor inclusion  
Sensory inclusion  
Mental inclusion





## Components



- 1 Balance Board
- 2 Abs Board/Push-ups
- 3 MODULE POMPES - Type A
- 4 Dual Dip Bars/Abs
- 5 STATION PETIT MODULE
- 6 3 in 1 Totem
- 7 Horizontal bar L. 125 cm
- 8 "G" barres parallèles double mixte noires
- 9 CONNECTEUR STATION VITALITE
- 10 Arm Bike

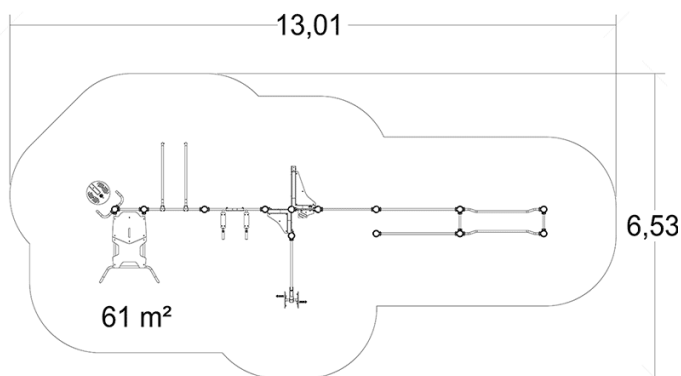
## Installation of equipment

**IMPORTANT:** It is essential to refer to the installation instructions for information on the size of the safety areas.

-  Impact area (minimum normative surface)
-  Free space



1	<0,6m	17,5m <sup>2</sup>
2	1,1m	43,5m <sup>2</sup>



2



20h00



1.8m<sup>3</sup>



61m<sup>2</sup>



732kg



322kg

EN

16 630