

Play value : 1



balancing

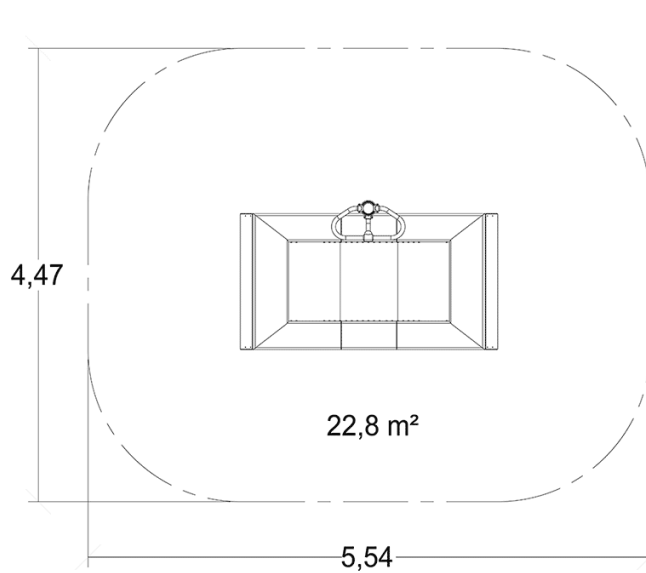




x1

Installation of equipment

IMPORTANT: It is essential to refer to the installation instructions for information on the size of the safety areas.

-  Impact area (minimum normative surface)
-  Free space



		
1	1m	22m ²



2



02h00



0m³



22m²



-



-

