



10+



1



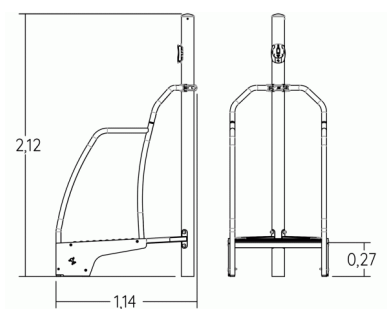
0,6m



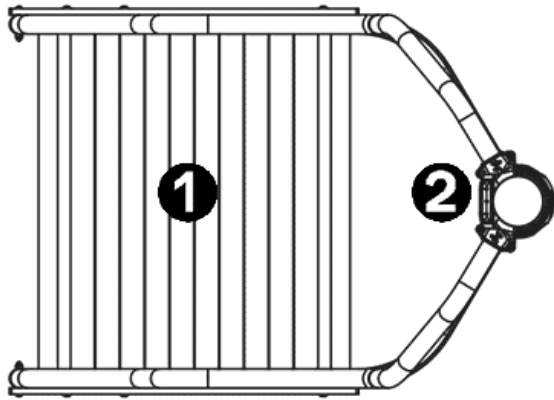
1 = 1,14m

2 = 0,81m

3 = 2,12m





Components

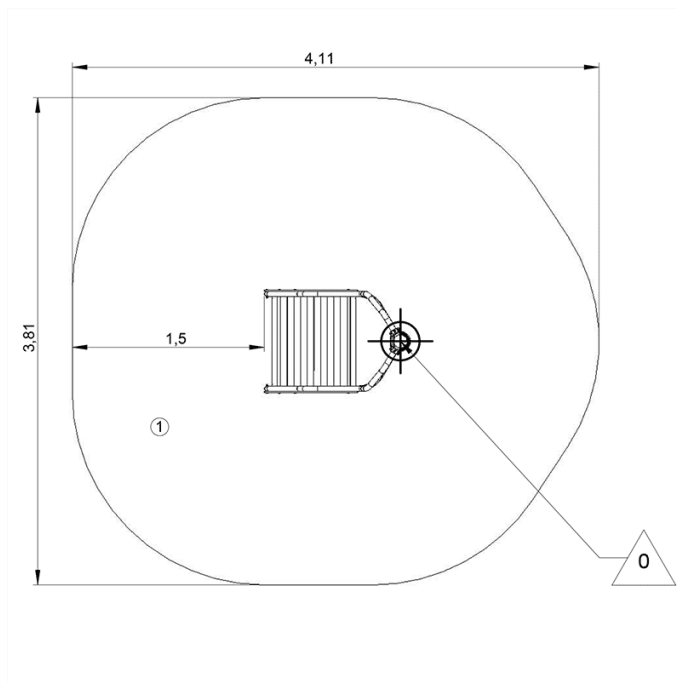




- 1 Runner
- 2 Support téléphone

Installation of equipment

IMPORTANT: It is essential to refer to the installation instructions for information on the size of the safety areas.

-  Impact area (minimum normative surface)
-  Free space



		
1	<0,6m	13,5m ²



2



02h00



0.15m³



13.5m²



78kg



19kg

