



3+



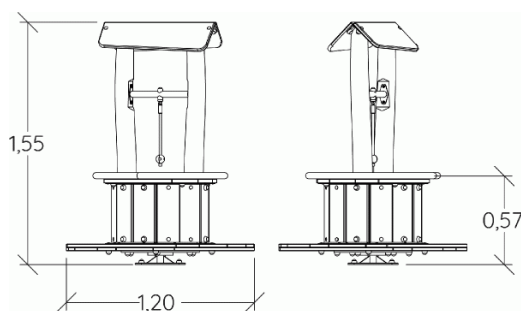
6



1m



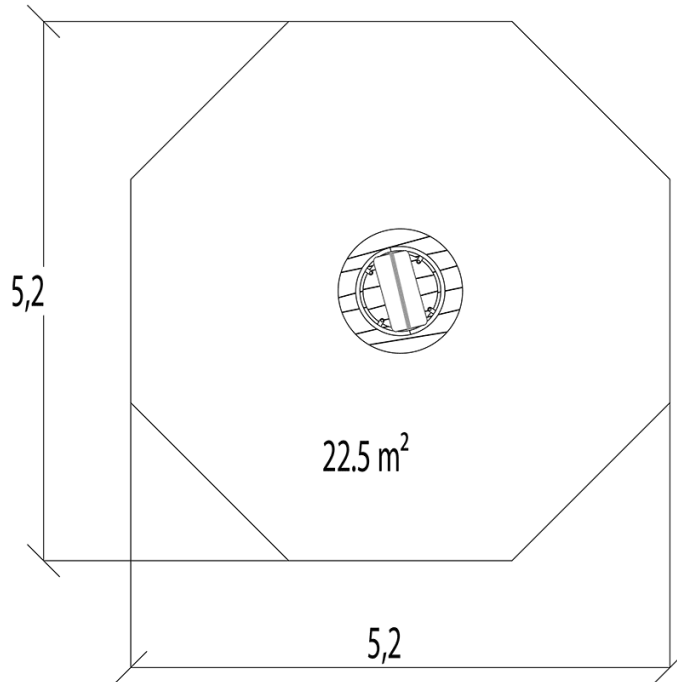
1 = 1,2m  
2 = 1,2m  
3 = 1,55m





## Installation of equipment

**IMPORTANT:** It is essential to refer to the installation instructions for information on the size of the safety areas.

-  Impact area (minimum normative surface)
-  Free space



		
1	1,00m	22,5m <sup>2</sup>



0



0.15m<sup>3</sup>



22.5m<sup>2</sup>



-



-

