



2+



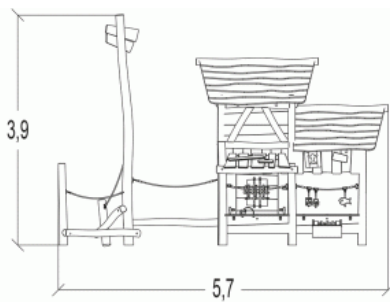
14



0,6m



1 = 5,7m  
2 = 3,8m  
3 = 3,9m

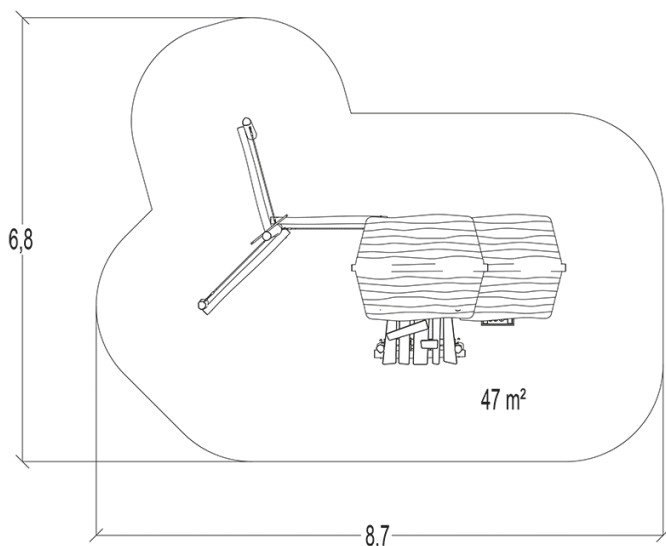


## Installation of equipment

**IMPORTANT:** It is essential to refer to the installation instructions for information on the size of the safety areas.

**—————** Impact area (minimum normative surface)

**- - - - -** Free space



1	<0,60m	47m²



0



00h0



0.19m³



47m²



-



-

