



14+



16



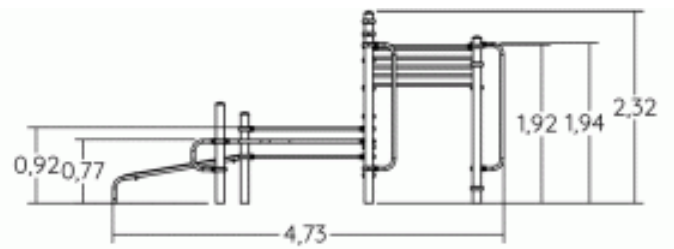
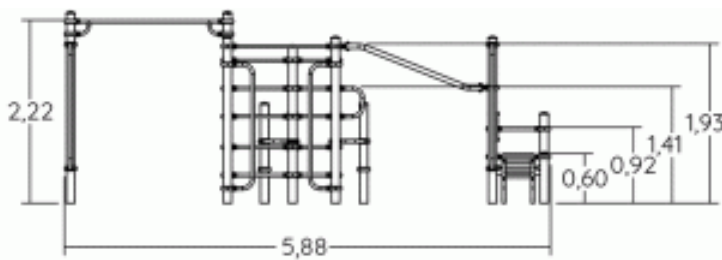
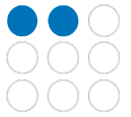
1,7m



1 = 5,88m  
2 = 4,73m  
3 = 2,32m



Motor inclusion  
Sensory inclusion  
Mental inclusion

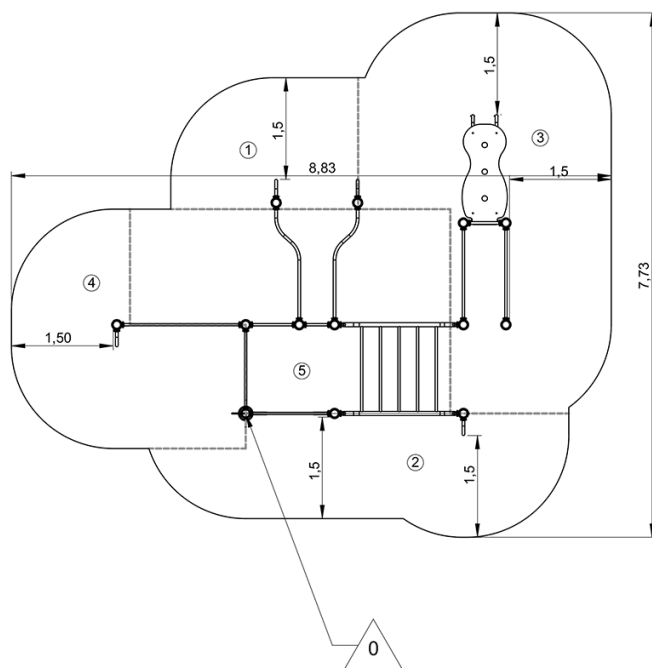


## Installation of equipment

**IMPORTANT:** It is essential to refer to the installation instructions for information on the size of the safety areas.

———— Impact area (minimum normative surface)

- - - - - Free space



1	0,78m	5m <sup>2</sup>
2	0,9m	8,5m <sup>2</sup>
3	0,95m	17m <sup>2</sup>
4	1,2m	8,5m <sup>2</sup>
5	1,7m	12m <sup>2</sup>



3



10h00



2.2m<sup>3</sup>



50.5m<sup>2</sup>



395kg



22kg



EN

16 630