



14+



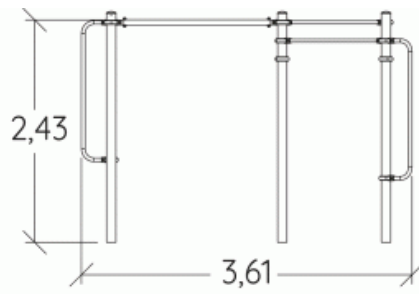
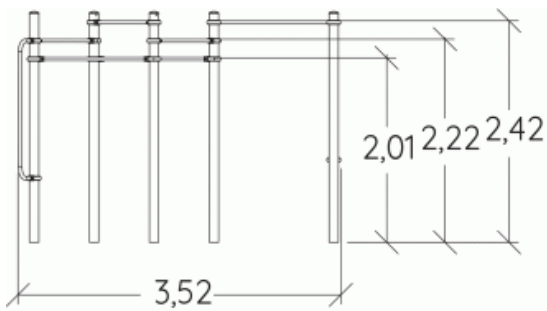
9



1,4m



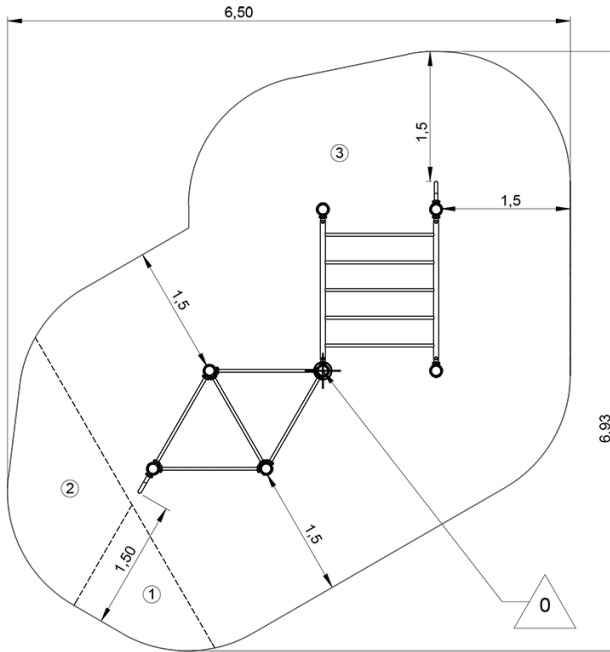
1 = 3,61m  
2 = 3,52m  
3 = 2,52m





## Installation of equipment

**IMPORTANT:** It is essential to refer to the installation instructions for information on the size of the safety areas.

-  Impact area (minimum normative surface)
-  Free space



		
1	1m	1,5m <sup>2</sup>
2	1,2m	2,5m <sup>2</sup>
3	1,4m	28,5m <sup>2</sup>



3



04h00



1.5m<sup>3</sup>



32.5m<sup>2</sup>



239kg



24kg

