



3+



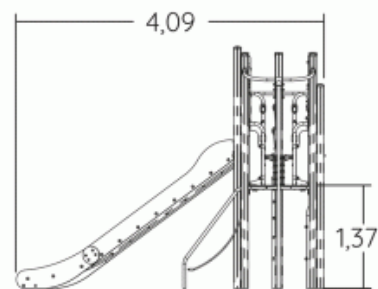
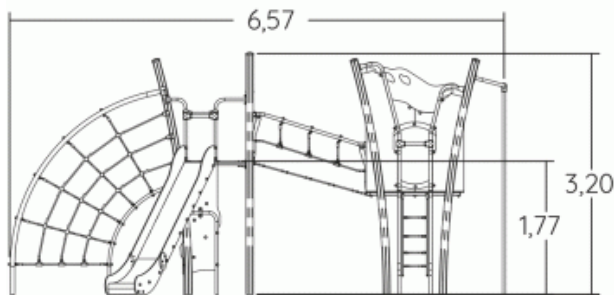
28



2,7m



1 = 6,58m
2 = 4,11m
3 = 3,53m



Play value :

8

climbing



x1

sliding



x1

meeting



x1

hanging



x1

swinging



x1

balancing



x1

climbing



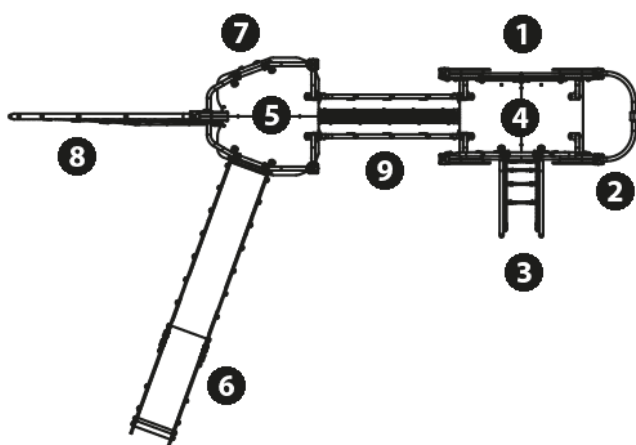
x1

getting across



x1



Components

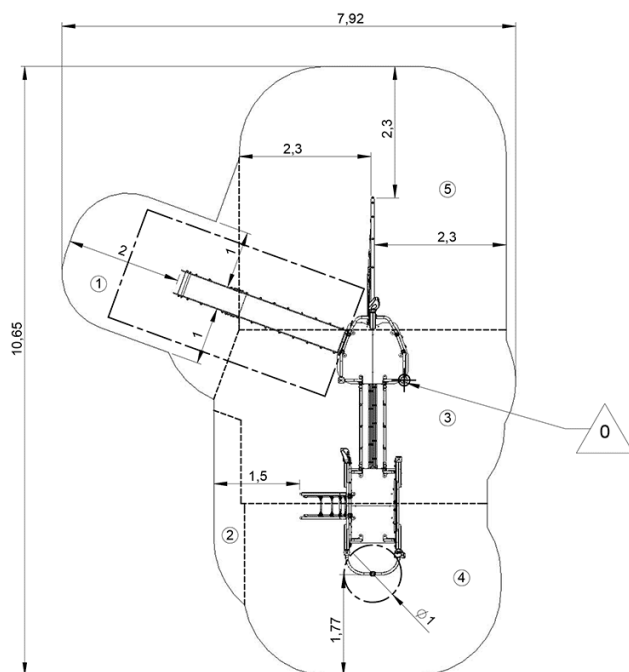


- ① Play porthole
- ② Fireman's pole
- ③ Flexible ladder, Ht: 1,37m
- ④ Platform with no roof, Ht: 1,37m
- ⑤ Platform with no roof, Ht: 1,77m
- ⑥ Slide Ht : 1.77m
- ⑦ Climbing wall
- ⑧ Leaf net
- ⑨ Passerelle cordage inclinée

Installation of equipment

IMPORTANT: It is essential to refer to the installation instructions for information on the size of the safety areas.

-  Impact area (minimum normative surface)
-  Free space



1	1m	8m ²
2	1,37m	1,5m ²
3	1,77m	14,5m ²
4	1,9m	12,5m ²
5	2,7m	20,5m ²



2



20h00



0.43m³



57m²



523kg



26kg

