


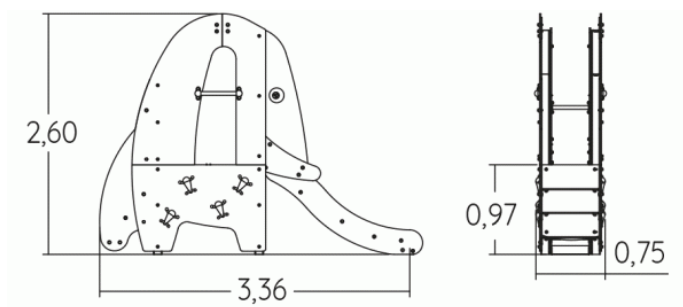
 **2+**
 **8**
 **1m**


 1 = 3,5m
 2 = 0,75m
 3 = 2,6m



Motor inclusion
 Sensory inclusion
 Mental inclusion



Play value :

6

climbing



x2

role play



x1

sliding



x1

meeting



x1



climbing

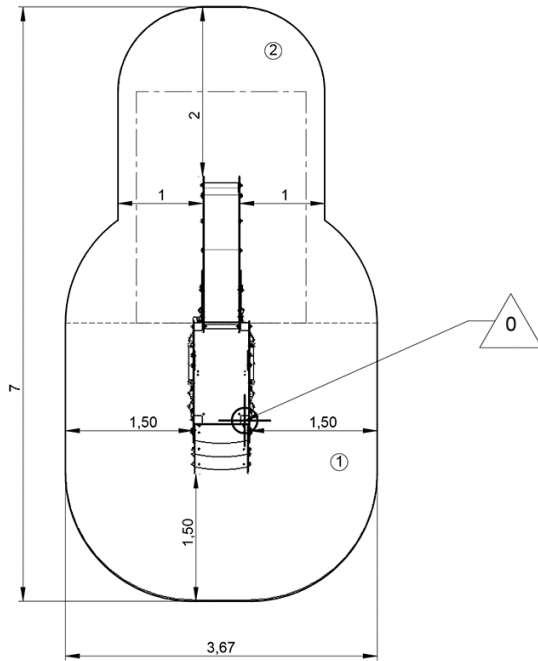


x1

Installation of equipment

IMPORTANT: It is essential to refer to the installation instructions for information on the size of the safety areas.

-  Impact area (minimum normative surface)
-  Free space



1	0,97m	11,5m ²
2	1m	10m ²



2



04h00



0.17m³



21.5m²



302kg



20kg

