



3+



55



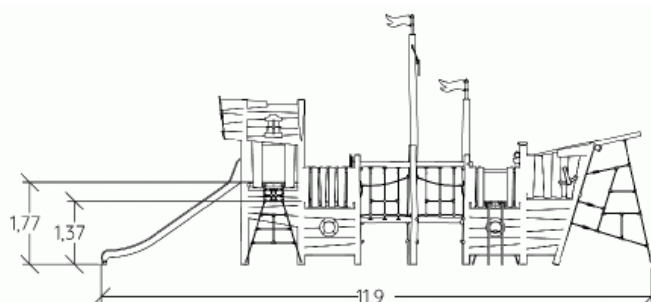
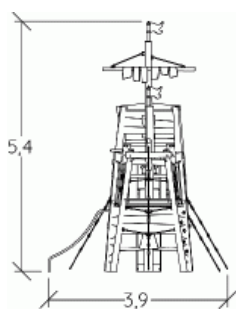
2,9m



1 = 11,9m

2 = 3,9m

3 = 5,4m

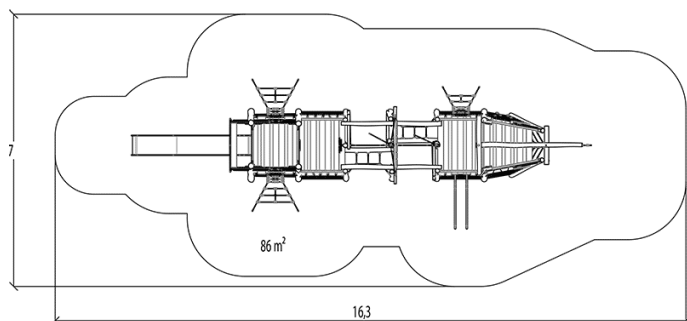


Installation of equipment

IMPORTANT: It is essential to refer to the installation instructions for information on the size of the safety areas.

———— Impact area (minimum normative surface)

- - - - - Free space



1	1m	9,5m ²
2	1,37m	2m ²
3	1,57m	3,5m ²
4	1,77m	19m ²
5	2,2m	30m ²
6	2,9m	22m ²



4



28h00



0.65m³



86m²



2054kg



1900kg



EN

1176