



2+



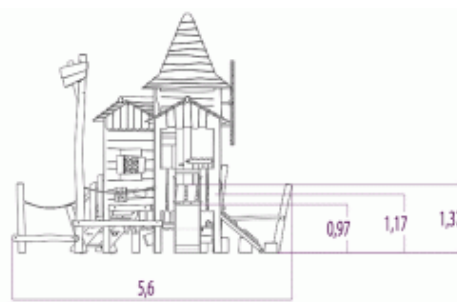
37



0,97m





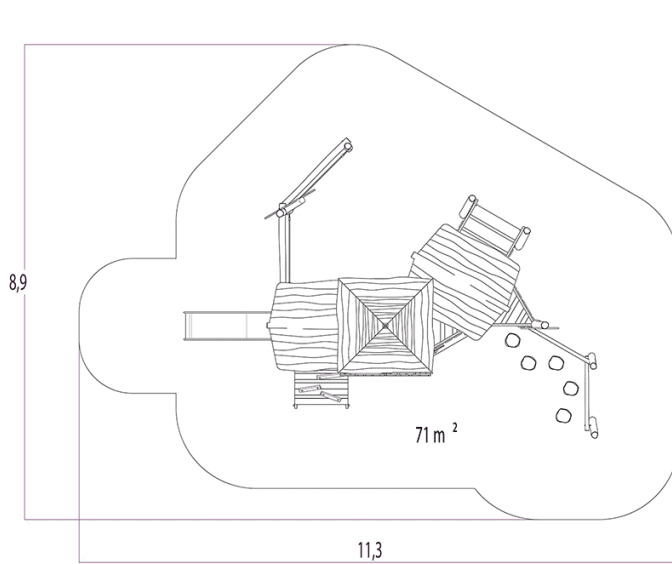
1 = 7,8m
2 = 5,6m
3 = 4,8m





Installation of equipment

IMPORTANT: It is essential to refer to the installation instructions for information on the size of the safety areas.

-  Impact area (minimum normative surface)
-  Free space



		
1	0,97m	71m ²



0



0.26m³



71m²



-



-

