



2+



1



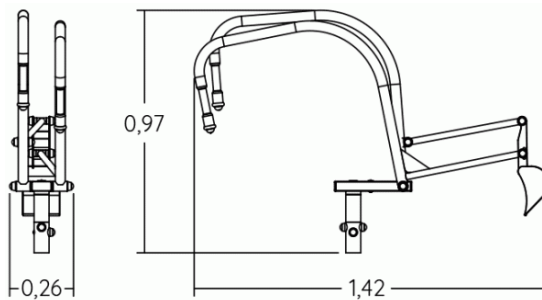
0,6m



1 = 1,43m
2 = 0,26m
3 = 0,97m



Motor inclusion
Sensory inclusion
Mental inclusion



Play value :

3

role play

handling

thinking



x1



x1



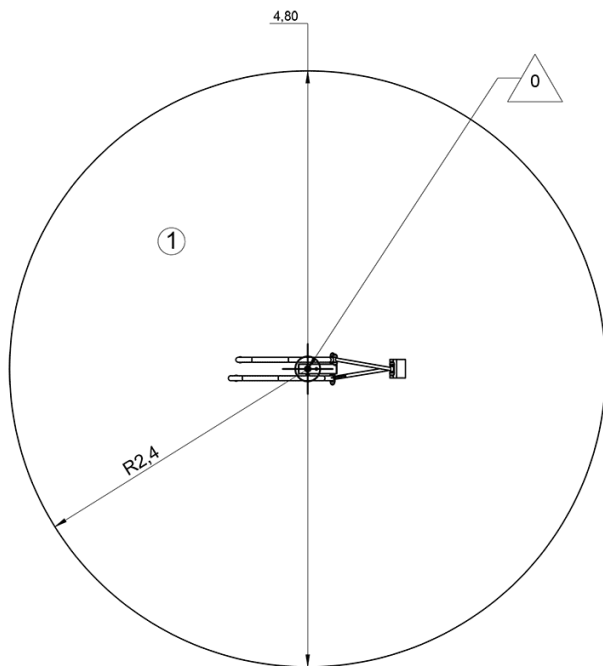
x1

Installation of equipment

IMPORTANT: It is essential to refer to the installation instructions for information on the size of the safety areas.

———— Impact area (minimum normative surface)

- - - - Free space



1	<0,6m	18m ²



2



01h00



0.08m³



18m²



17kg



17kg

