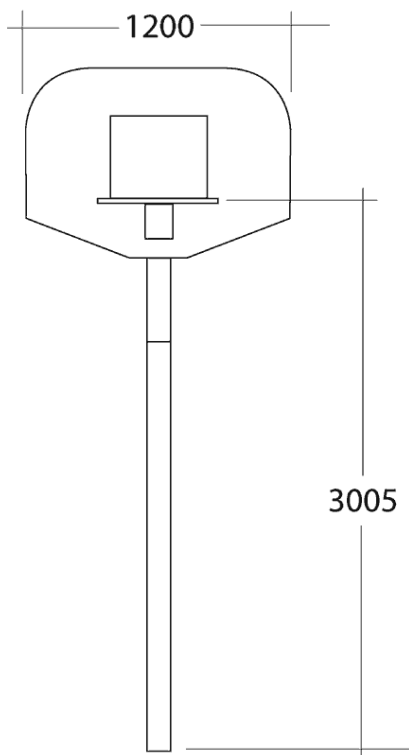




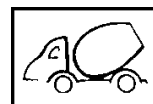
1=1.2m 2=1.8m 3=3.8m



Reinforced fibreglass board with a reinforced basket. Frame made of 100mm cross-section square tube, with epoxy lacquer. Board size: 1.20x0.90m - Hoop height: 3.05m



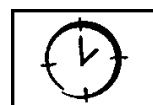
INSTALLATION



0.7m³



2



01h00

Total weight = 173 kg

Heaviest part = 0 kg