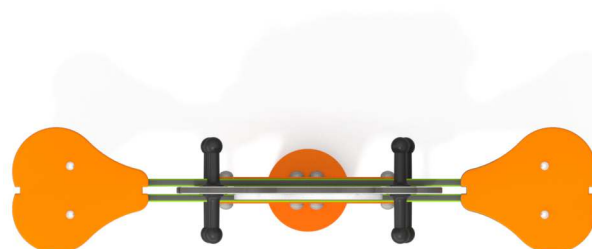


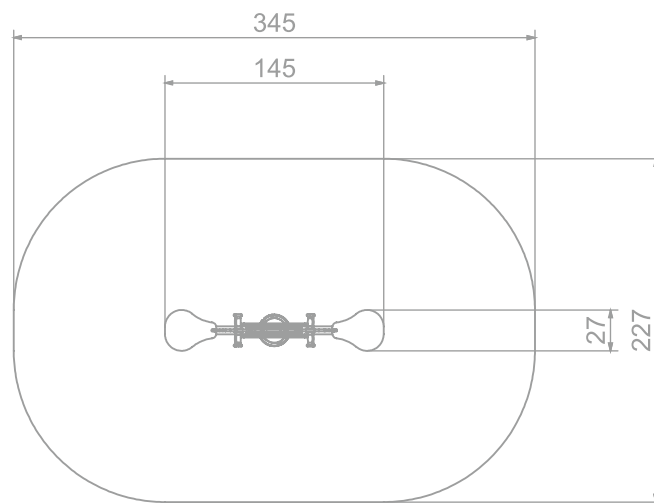
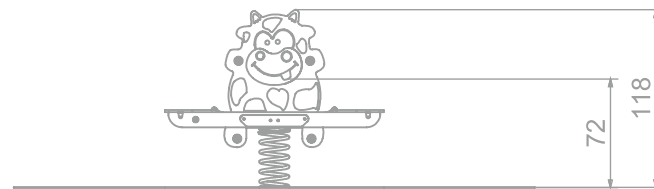
5034



INFORMATION ABOUT THE PRODUCT

Dimensions	27 x 145 cm
Safety zone	227 x 345 cm
Safety zone area	6,96 m ²
Overall height	118 cm
Free fall height	72 cm
Amount of users	2
Product complies with EN 1176-1:2017-12	YES
Availability of spare parts	YES
Age range	1-12
<small>According to EN 1176-1:2017-12 norm, the product requires applying a safety surface according to the product's free fall height.</small>	





SCALE 1:50

MATERIALS:

<p>HANDHOLD MADE OF INJECTION MOLDED POLYAMIDE</p>	<p>PLATES OF THE WALLS MADE OF COLOURFUL TRIPLE LAYERED 15 MM HDPE POLYETHYLENE</p>	<p>SPRINGERS' SPRINGS MADE OF SPRING STEEL</p>
		

