


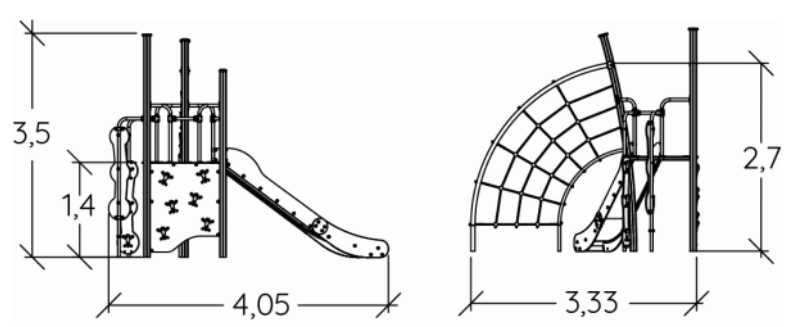
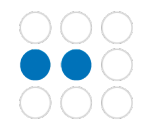
 **3+**
 **10**
 **2,7m**



 1 = 4,04m
 2 = 3,26m
 3 = 3,22m



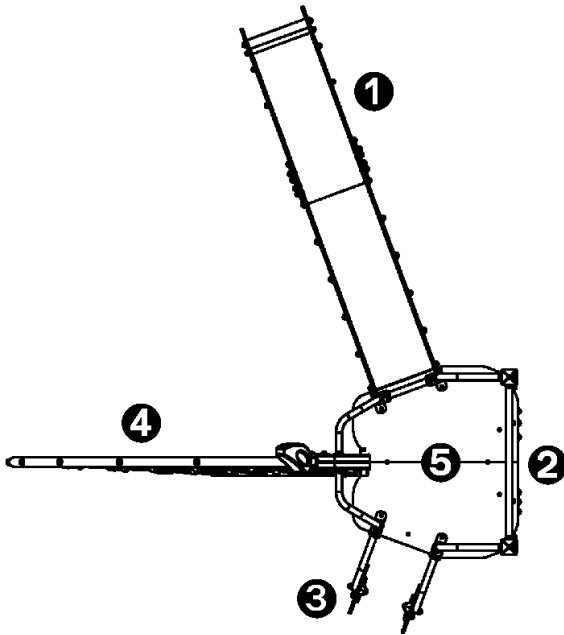
Motor inclusion
 Sensory inclusion
 Mental inclusion



Play value : **4**

climbing	balancing	climbing
		
x2	x1	x1



Components

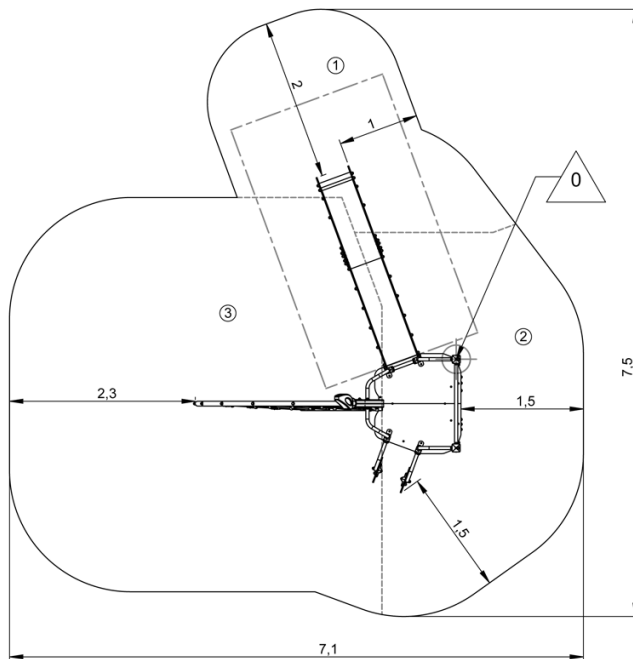




- ❶ Slide Ht : 1.37m
- ❷ Climbing wall HT: 1.37m
- ❸ Climbing ladder
- ❹ Leaf net
- ❺ Platform with no roof, Ht: 1,37m

Installation of equipment

IMPORTANT: It is essential to refer to the installation instructions for information on the size of the safety areas.

-  Impact area (minimum normative surface)
-  Free space



		
1	1m	6,5m ²
2	1,37m	10,5m ²
3	2,7m	21,5m ²



2



08h00



0.3m³



38.5m²



250kg



26kg

