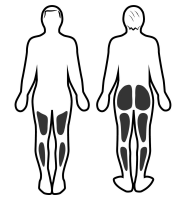
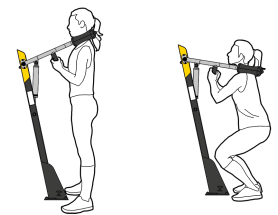


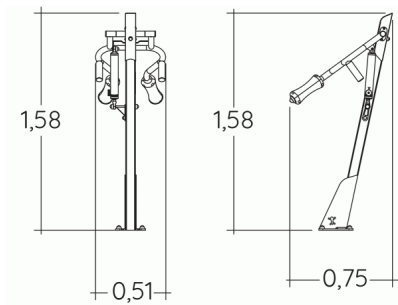
Sports formula



Muscular stimulation



Movements



► **Sports activities :** **3**

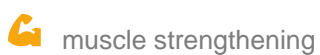
Squats



Resistance





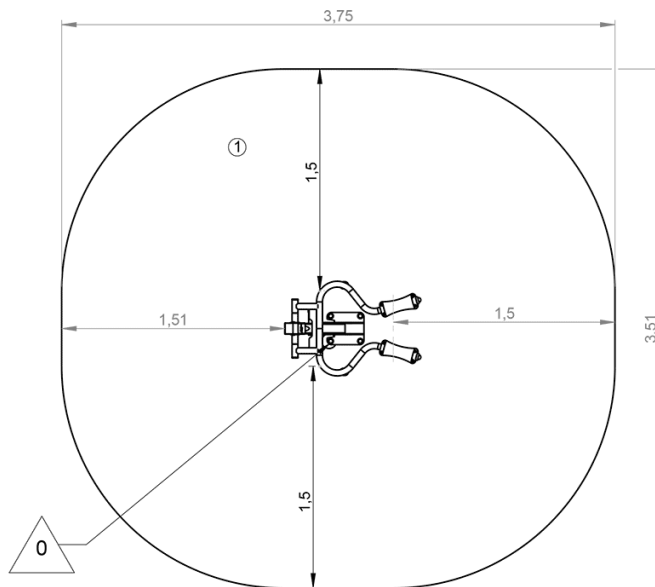
Soulever





► Installation of equipment

IMPORTANT: It is essential to refer to the installation instructions for information on the size of the safety areas.

-  Impact area (minimum normative surface)
-  Free space



		
1	<0,6m	11,22m ²



2



02h00



0m³



11m²



33kg



28kg

