

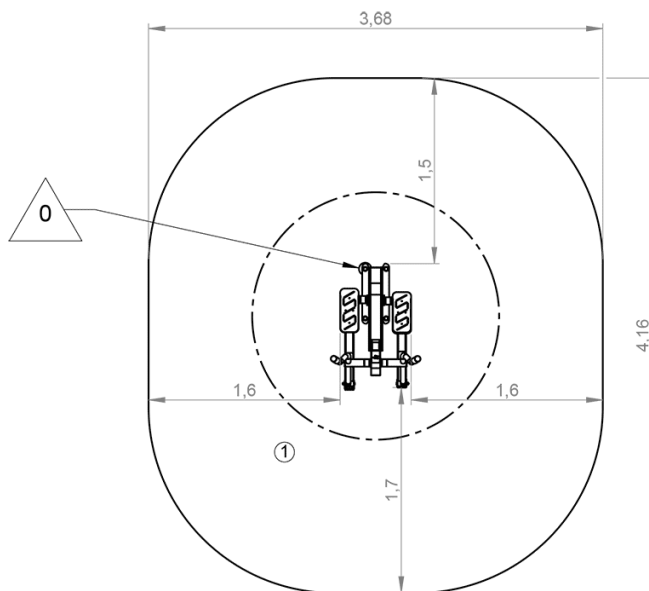




► Installation of equipment

IMPORTANT: It is essential to refer to the installation instructions for information on the size of the safety areas.

-  Impact area (minimum normative surface)
-  Free space



		
1	0,35m	13,37m ²



2



02h00



0m³



13.5m²



79kg



35kg

