



## Information about the product

Dimensions	272 x 127 cm
Safety zone	572 x 494 cm
Safety zone area	24 m <sup>2</sup>
Overall height	462 cm
Free fall height	200 cm
Amount of users	9
Product complies with EN 1176-1:2017-12	Yes
Availability of spare parts	Yes
Age range	3-12

According to EN 1176-1:2017-12 norm, the product requires applying a safety surface according to the product's free fall height.

## Functions



Climbing



Balancing



Socializing



**COLOUR**  
WAVE MASTER

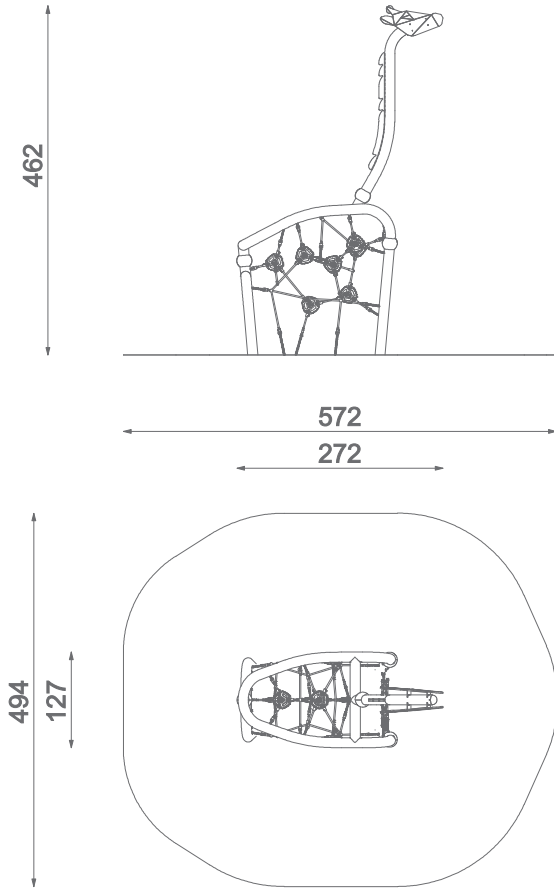
A painting technique that allows combining two colors, which smoothly blend into each other. It enables achieving a natural colour fusion effect.



**SHAPE**  
WAVE MASTER

A pipe-bending technique that allows for the maintenance of a smooth steel surface.





SCALE 1:100

### Materials



Steel construction:  
Ø133 pipes, powder  
galvanized and covered  
in powder coating paint



Polypropylene ropes pp -  
multisplit type with a steel  
core and a diameter of 16  
mm



Elements: HDPE 15 mm



Modules manufactured of  
rotomoulded polyethylene



Let's Buglo

