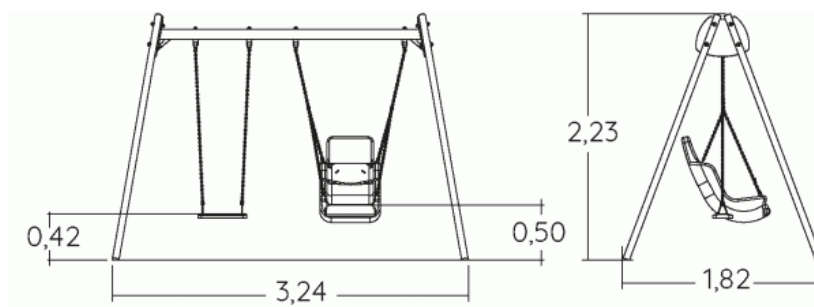


Motor inclusion
Sensory inclusion
Mental inclusion



Play value : **4**

resting

swinging



x2

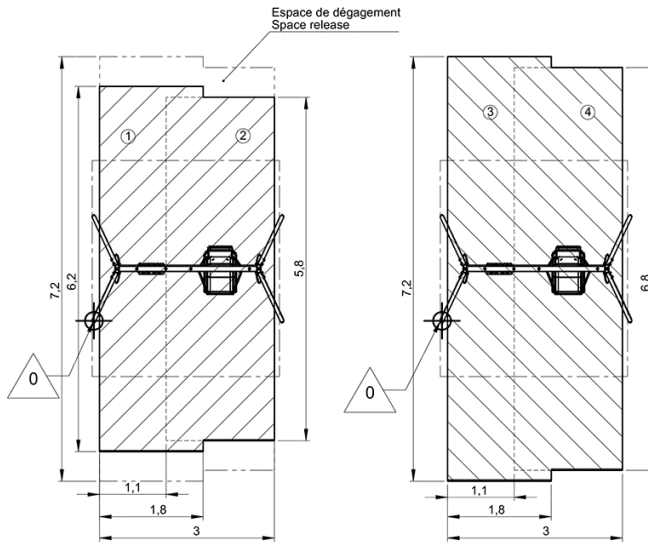
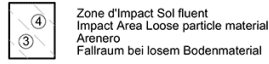
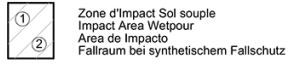
x2

Installation of equipment

IMPORTANT: It is essential to refer to the installation instructions for information on the size of the safety areas.

———— Impact area (minimum normative surface)

- - - - - Free space



1	1,2m	7,5m ²
2	1,4m	11m ²
3	1,2m	8,5m ²
4	1,4m	12,5m ²



2

02h00

0.11m³

18.5m²

94kg

20kg

