



1+



10



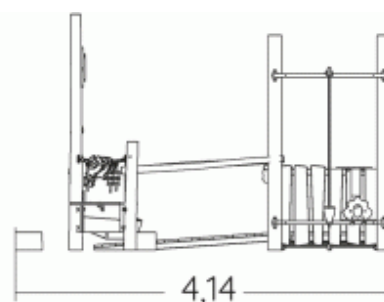
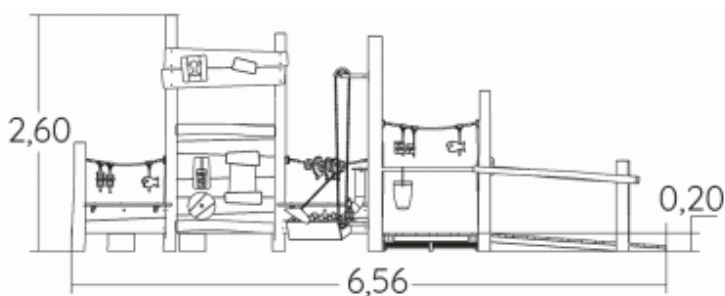
0,6m



1 = 6,56m  
2 = 4,2m  
3 = 2,6m



Motor inclusion  
Sensory inclusion  
Mental inclusion



Play value : **33**

role play



x1

meeting



x1

resting



x2

handling



x11

hiding



x1

thinking



x4

tactile stimulation



x11

visual stimulation



x1

climbing



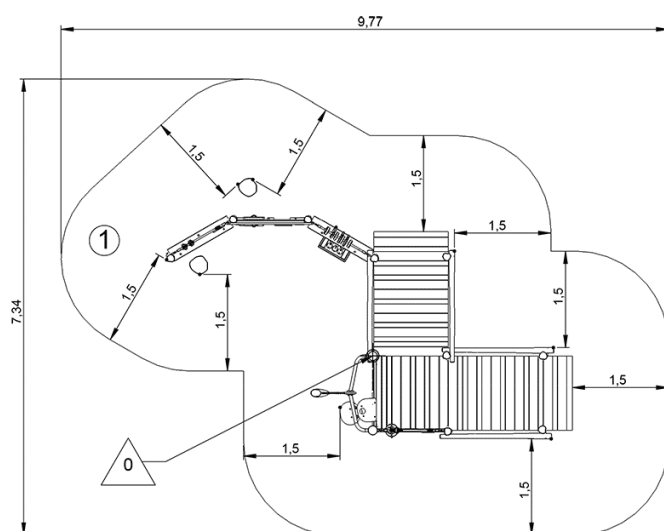
x1



## Installation of equipment

**IMPORTANT:** It is essential to refer to the installation instructions for information on the size of the safety areas.

**————** Impact area (minimum normative surface)

**- - - -** Free space



		
1	0,6m	50m <sup>2</sup>



2



12h00



0.7m<sup>3</sup>



50m<sup>2</sup>



629kg



600kg

