



3+



15



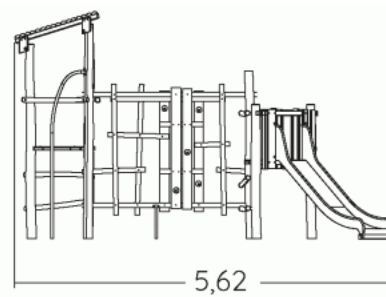
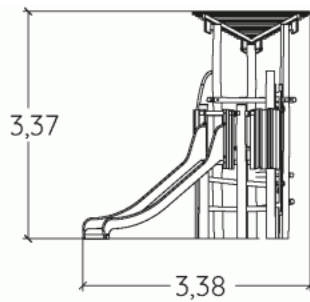
2,4m



1 = 5,62m  
2 = 3,38m  
3 = 3,37m



Motor inclusion  
Sensory inclusion  
Mental inclusion



Play value :

10

climbing



x1

role play



x1

sliding



x2

meeting



x2

taking shelter



x1

climbing



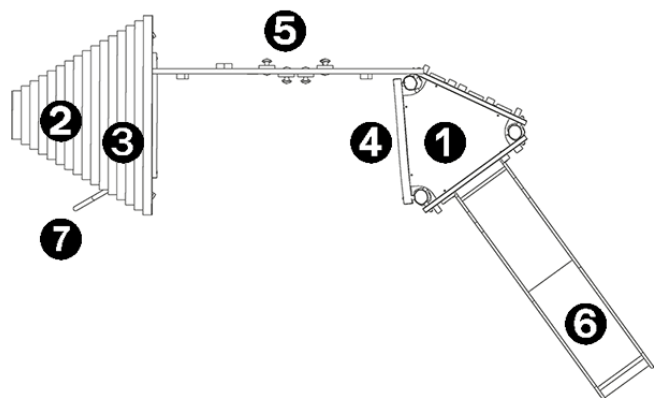
x2

getting across



x1



## Components

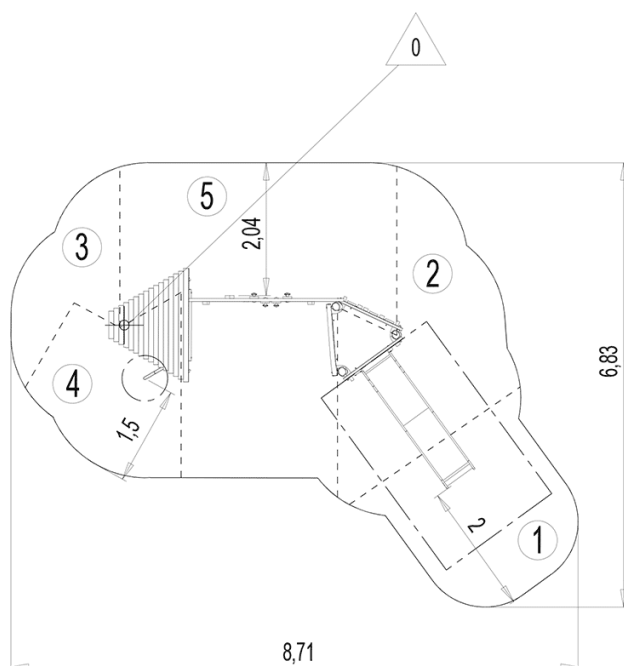


- ❶ Platform
- ❷ Roof
- ❸ Platform Ht: 1.37m
- ❹ Vertical ladder Ht: 1.17
- ❺ Climbing wall
- ❻ Slide Ht: 1.17m
- ❼ Firemans? pole Ht: 1.37m

## Installation of equipment

**IMPORTANT:** It is essential to refer to the installation instructions for information on the size of the safety areas.

-  Impact area (minimum normative surface)
-  Free space



1	1m	6,5m <sup>2</sup>
2	1,17m	8m <sup>2</sup>
3	1,37m	3m <sup>2</sup>
4	1,5m	5m <sup>2</sup>
5	2,4m	16m <sup>2</sup>



2

06h00

0m<sup>3</sup>

38.5m<sup>2</sup>

543kg

52kg

EN

1176