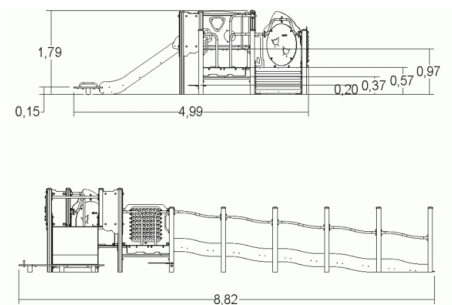


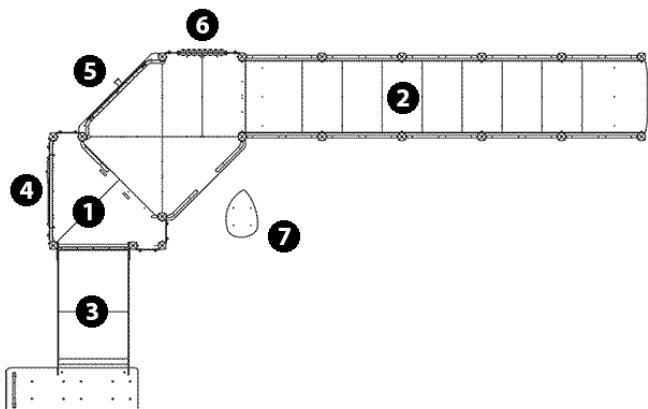
Motor inclusion
Sensory inclusion
Mental inclusion



Play value : 24

| role play | sliding | meeting | handling | balancing | thinking | sound stimulation | tactile stimulation |
|--------------------|----------|----------------|----------|-----------|----------|-------------------|---------------------|
| | | | | | | | |
| x2 | x1 | x2 | x4 | x1 | x1 | x1 | x5 |
| visual stimulation | climbing | getting across | | | | | |
| | | | | | | | |
| x4 | x2 | x1 | | | | | |



Components

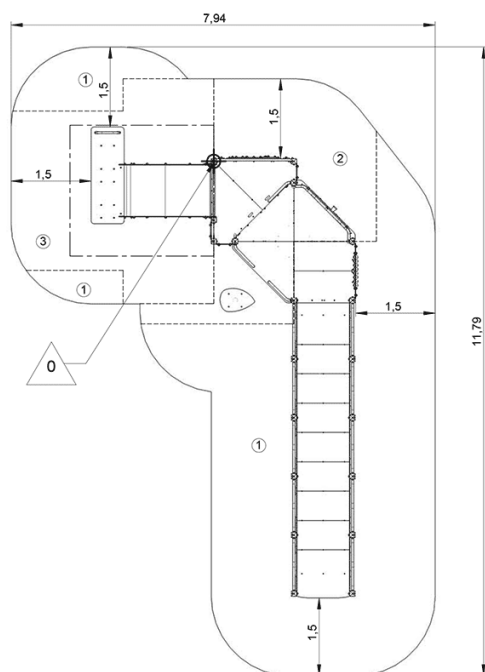


- ❶ Plate-forme Ht : 0.97 m
- ❷ Plate-forme fauteuil Ht : 0.97 m
- ❸ Toboggan Ht : 0.97 m
- ❹ Panneau ludique sensoriel
- ❺ Butterfly play panel
- ❻ Panneau ludique boulier
- ❼ Pas japonais

Installation of equipment

IMPORTANT: It is essential to refer to the installation instructions for information on the size of the safety areas.

-  Impact area (minimum normative surface)
-  Free space



| | | |
|---|-------|--------------------|
| 1 | 0,6m | 37m ² |
| 2 | 0,97m | 12m ² |
| 3 | 1m | 13,5m ² |



0

00h00

0m³

62.5m²

856kg

30kg

EN

1176