



3+



23



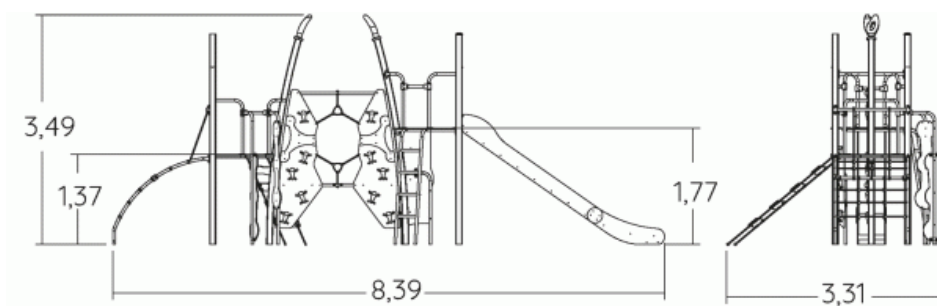
2,35m



1 = 8,39m  
2 = 3,31m  
3 = 3,49m



Motor inclusion  
Sensory inclusion  
Mental inclusion



Play value :

13

climbing



x3

sliding



x1

meeting



x2

balancing



x2

climbing



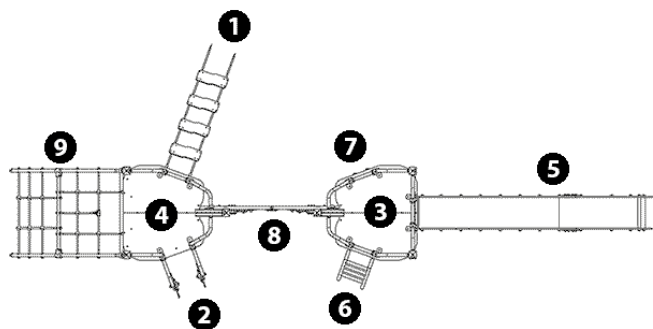
x4

getting across



x1

## Components

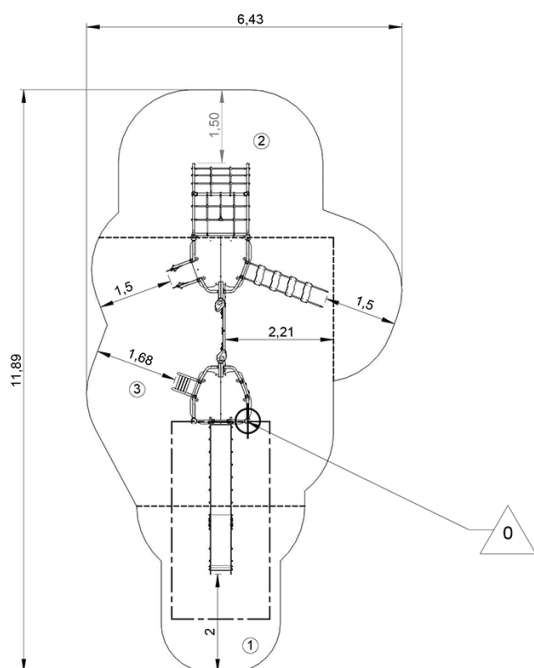


- ① Net ladder
- ② Climbing ladder
- ③ Platform with no roof, Ht: 1,77m
- ④ Platform with no roof, Ht: 1,37m
- ⑤ Slide Ht : 1.77m
- ⑥ Ladder Ht: 1.77m
- ⑦ Climbing wall
- ⑧ Butterfly climbing wall
- ⑨ Incline net H: 1.37m

## Installation of equipment

**IMPORTANT:** It is essential to refer to the installation instructions for information on the size of the safety areas.

-  Impact area (minimum normative surface)
-  Free space



	Height	Area
1	1m	9m <sup>2</sup>
2	1,37m	14m <sup>2</sup>
3	2,35m	27m <sup>2</sup>



2



16h00



0.5m<sup>3</sup>



50m<sup>2</sup>



468kg



26kg

