

5 11 069 011 03

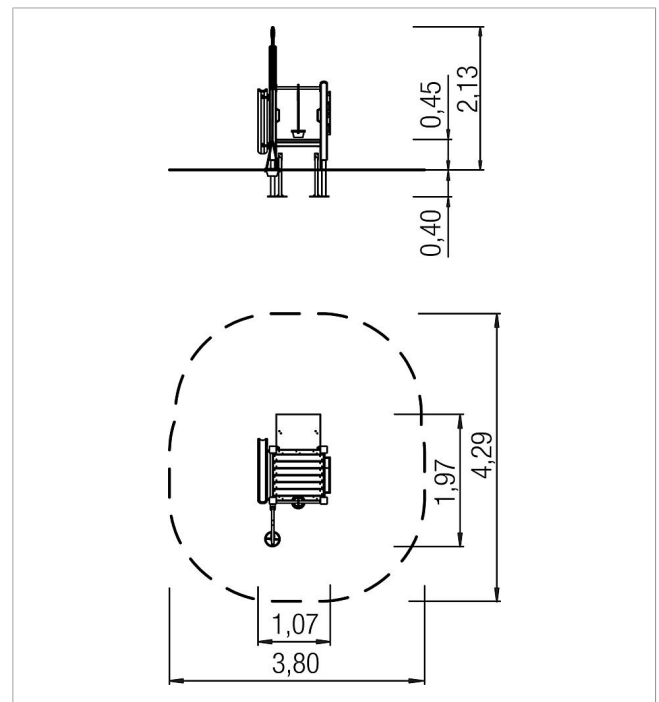
**playo sand
construction site Luis**

made in germany

3⁺

Scope of delivery

- 4x post construction: softwood or steel
- 1x platform construction: softwood
- 1x parapet: high-pressure laminate (HPL)
- 1x passage safety device: stainless steel (V2A)
- 1x play parapet sand chute: softwood, high-pressure laminate (HPL)
- 1x grip set: aluminium, coated
- 1x slide board: high-pressure laminate (HPL)
- 1x sand lift with bucket: stainless steel (V2A), rubber
- 1x sand chute: softwood
- fittings: stainless steel (V2A)



	Material	SW pi
	Foundation level	FL 1
	Minimum space	3,76x4,29x2,25 m
	Free falling height	45 cm
	Impact protection net	-
	Foundations	5x CF or 5x PFs